

# 44 CE RANGE

WATERTIGHT SURFACE-MOUNTING JUNCTION BOXES



## TECHNICAL CHARACTERISTICS

### 44 CE - SURFACE-MOUNTING BOXES IN GW PLAST<sup>(c)</sup> 75; GWT 650°C

#### TECHNICAL CHARACTERISTICS

Standard: IEC 60670; CEI 23-48	Material: GW PLAST 75
IP rating: IP 44; IP 55; IP 56	Impact resistance: IK 07 (box IP 44) IK 08 (box IP 55 and IP 56)
Protection against indirect contacts: Double insulation - □ <sup>(*)</sup>	Resistance to abnormal heat and fire: Thermo-pressure with ball 70°C
Installation temperature: Max +60° Min -25°	Glow wire test 650°C

(\*) Complete insulation to Standard EN 61140, obtainable by means of screwcaps GW 44 622 or GW 44 623 or fixing brackets GW 44 621 in insulating material.

#### BEHAVIOUR WITH CHEMICAL AND ATMOSPHERIC AGENTS

Saline solution	Acids		Bases		Solvents				Mineral oil	UV rays
	Concentrated	Diluted	Concentrated	Diluted	Hexane	Benzol	Acetone	Ethyl alcohol		
Resistant	Limited resistance	Resistant	Resistant	Resistant	Resistant	Not resistant	Not resistant	Limited resistance	Limited resistance	Resistant

### 44 CE - SURFACE-MOUNTING BOXES IN GW PLAST<sup>(c)</sup> 75; GWT 960°C

#### TECHNICAL CHARACTERISTICS

Standard: IEC 60670; CEI 23-48	Material: GW PLAST 75
IP rating 44; IP 55;	Impact resistance: IK 07 (box IP 44); IK 08 (box IP 55)
Protection against indirect contacts: Double insulation - □ <sup>(*)</sup>	Resistance to abnormal heat and fire: Thermo-pressure with ball 70°C
Installation temperature: Max +60° Min -25°	Glow wire test 960°C

(\*) Complete insulation to Standard EN 61140, obtainable by means of screwcaps GW 44 622 or GW 44 623 or fixing brackets GW 44 621 in insulating material.

#### BEHAVIOUR WITH CHEMICAL AND ATMOSPHERIC AGENTS

Saline solution	Acids		Bases		Solvents				Mineral oil	UV rays
	Concentrated	Diluted	Concentrated	Diluted	Hexane	Benzol	Acetone	Ethyl alcohol		
Resistant	Limited resistance	Resistant	Resistant	Resistant	Resistant	Not resistant	Resistant	Resistant	Resistant	Resistant

### 44 CE - SURFACE-MOUNTING BOXES IN GW PLAST<sup>(c)</sup> 120 FOR INDUSTRIAL USES

#### TECHNICAL CHARACTERISTICS

Standard: IEC 60670; CEI 23-48	Material: GW PLAST 120
IP rating: IP 56	Impact resistance: IK 08
Protection against indirect contacts: Double insulation - □ <sup>(*)</sup>	Resistance to abnormal heat and fire: Thermo-pressure with ball 120°C
Installation temperature: Max +60° Min -25°	Glow wire test 650°C

(\*) Complete insulation to Standard EN 61140, obtainable by means of screwcaps GW 44 622 or GW 44 623 or fixing brackets GW 44 621 in insulating material.

#### BEHAVIOUR WITH CHEMICAL AND ATMOSPHERIC AGENTS

Saline solution	Acids		Bases		Solvents				Mineral oil	UV rays
	Concentrated	Diluted	Concentrated	Diluted	Hexane	Benzol	Acetone	Ethyl alcohol		
Resistant	Limited resistance	Not resistant	Limited resistance	Not resistant	Not resistant	Not resistant	Not resistant	Limited resistance	Limited resistance	Limited resistance

# 44 CE RANGE

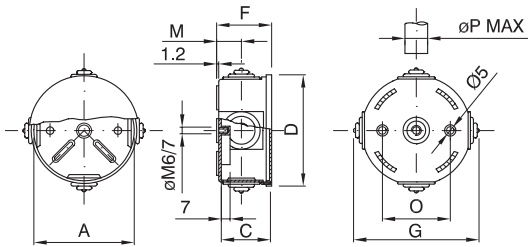
WATERTIGHT SURFACE-MOUNTING JUNCTION BOXES



## TECHNICAL CHARACTERISTICS

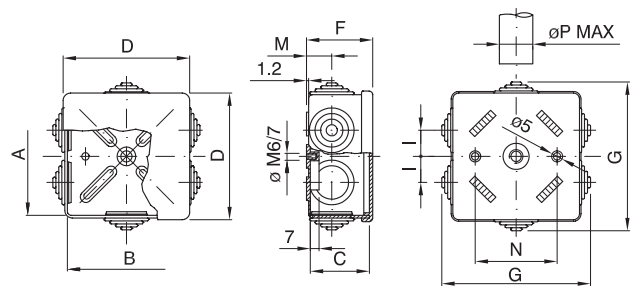
### DIMENSIONAL TABLES

#### 44 CE RANGE - JUNCTION BOXES WITH CABLE GLANDS



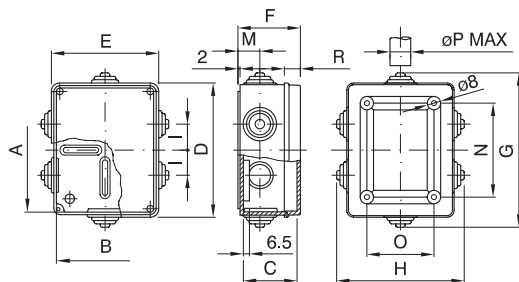
CODE	A	C	D	F	G	M	O	P
GW 44 001	65	35	72.5	40.5	88	17	40	20
GW 44 051	65	35	72.5	40.5	88	17	40	20
GW 44 002	80	40	87.5	45.5	104.5	17	50	20

#### 44 CE RANGE - JUNCTION BOXES WITH CABLE GLANDS



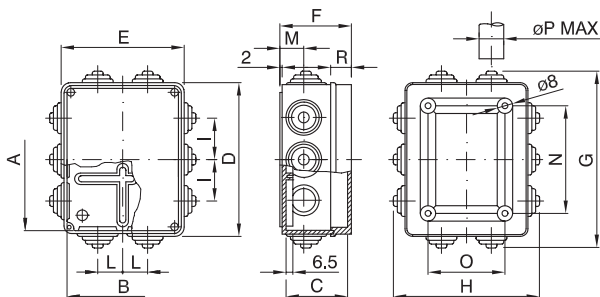
CODE	A	B	C	D	F	G	I	M	N	P
GW 44 003	80	80	40	87.5	45.5	110	20	17	50	20
GW 44 053	80	80	40	87.5	45.5	110	20	17	50	20

#### 44 CE RANGE - JUNCTION BOXES WITH CABLE GLANDS



CODE	A	B	C	D	E	F	G	H	I	M	N	O	P	R
GW 44 004	100	100	52	108	108	58	130	130	20	23	64	64	25	15
GW 44 024	100	100	52	108	108	58	130	130	20	23	64	64	25	15
GW 44 054	100	100	52	108	108	58	130	130	20	23	64	64	25	15
GW 44 005	120	80	50	129	89	58	152.5	112.5	30	23	82	42	25	15

#### 44 CE RANGE - JUNCTION BOXES WITH CABLE GLANDS



CODE	A	B	C	D	E	F	G	H	I	L	M	N	O	P	R
GW 44 006	150	110	70	158	118	76	181.5	141	43	23	23	112	72	25	24
GW 44 026	150	110	70	158	118	76	181.5	141	43	23	23	112	72	25	24
GW 44 056	150	110	70	158	118	76	181.5	141	43	23	23	112	72	25	24

# 44 CE RANGE

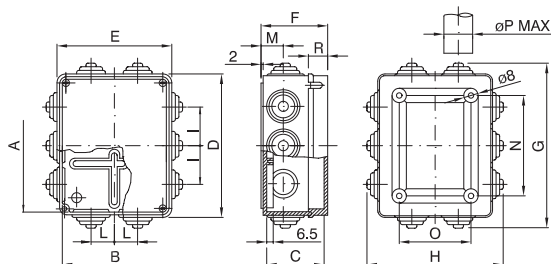
WATERTIGHT SURFACE-MOUNTING JUNCTION BOXES



## TECHNICAL CHARACTERISTICS

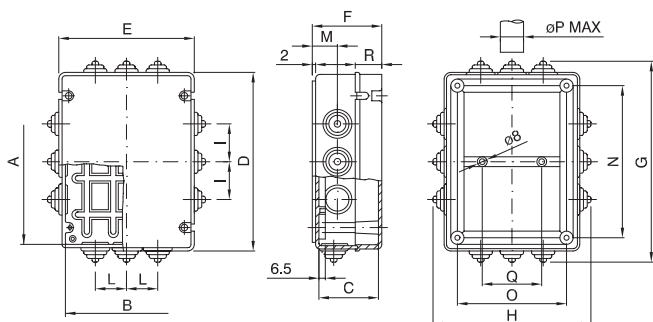
### DIMENSIONAL TABLES

#### 44 CE RANGE - JUNCTION BOXES WITH CABLE GLANDS



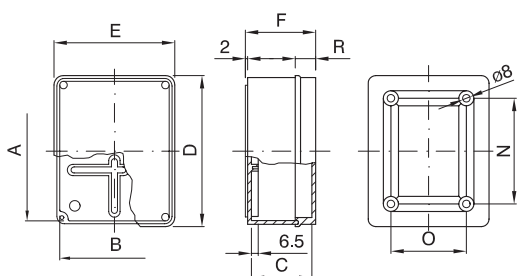
CODE	A	B	C	D	E	F	G	H	I	L	M	N	O	P	R
GW 44 007	190	140	70	200	154	79	226	180	52	26	29	144	98	32	25
GW 44 057	190	140	70	200	154	79	226	180	52	26	29	144	98	32	25

#### 44 CE RANGE - JUNCTION BOXES WITH CABLE GLANDS



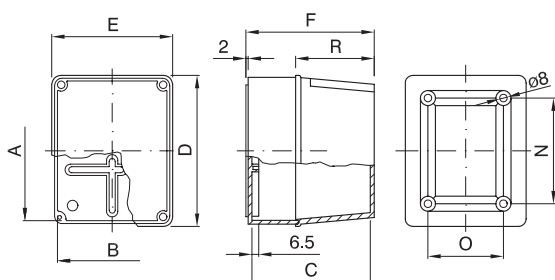
CODE	A	B	C	D	E	F	G	H	I	L	M	N	O	P	Q	R
GW 44 008	240	190	90	254	200	98	280	226	60	52	29	194	140	32	-	28
GW 44 058	240	190	90	254	200	98	280	226	60	52	29	194	140	32	-	28
GW 44 009	300	220	120	316	236	128	350	270	62	60	37.5	250	170	40	-	49.5
GW 44 010	380	300	120	396	316	128	430	350	71	62	37.5	331	251	40	124	49.5
GW 44 011	460	380	120	474	396	128	508	430	65	71	37.5	380	310	40	300	49.5

#### 44 CE RANGE - JUNCTION BOXES WITH SMOOTH WALLS



CODE	A	B	C	D	E	F	N	O	R
GW 44 204									
GW 44 234	100	100	50	109	109	58	64	64	15
GW 44 404									
GW 44 205	120	80	50	129	89	58	82	42	15
GW 44 405									
GW 44 206									
GW 44 236	150	110	70	159	119	76	112	72	24
GW 44 406									
GW 44 426									

#### 44 CE RANGE - JUNCTION BOXES WITH SMOOTH WALLS



CODE	A	B	C	D	E	F	N	O	R
GW 44 214									
GW 44 414	100	100	120	109	109	126	64	64	83
GW 44 215									
GW 44 415	120	80	120	129	89	126	82	42	83
GW 44 216									
GW 44 416	150	110	140	159	119	146	112	72	94
GW 44 436									

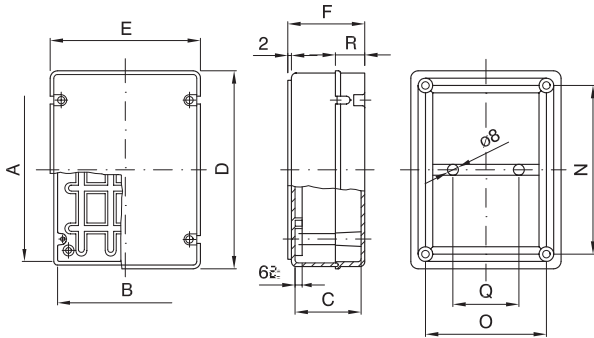
# 44 CE RANGE

WATERTIGHT SURFACE-MOUNTING JUNCTION BOXES



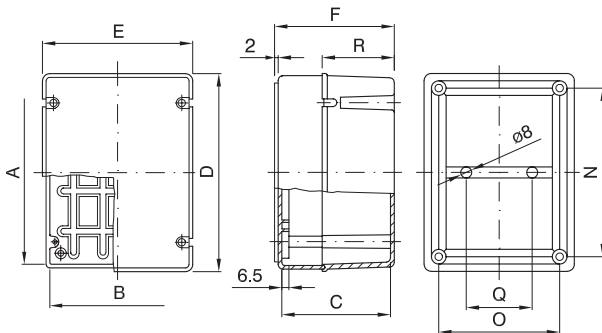
## TECHNICAL CHARACTERISTICS

### 44 CE RANGE - JUNCTION BOXES WITH SMOOTH WALLS



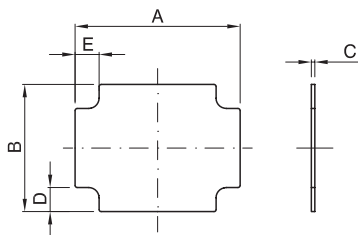
CODE	A	B	C	D	E	F	N	O	Q	R
GW 44 207										
GW 44 407	190	140	70	200	154	79	144	98	-	25
GW 44 427										
GW 44 208										
GW 44 408	240	190	90	254	200	98	194	140	-	28
GW 44 428										
GW 44 209										
GW 44 409	300	220	120	316	236	128	250	170	-	49,5
GW 44 429										
GW 44 210										
GW 44 410	380	300	120	396	316	128	331	251	124	49,5
GW 44 430										
GW 44 211										
GW 44 411	460	380	120	474	396	128	380	310	300	49,5
GW 44 431										

### 44 CE RANGE - JUNCTION BOXES WITH SMOOTH WALLS



CODE	A	B	C	D	E	F	N	O	Q	R
GW 44 217										
GW 44 417	190	140	140	200	154	148	144	98	-	94
GW 44 437										
GW 44 218										
GW 44 418	240	190	160	254	200	167,5	194	140	-	97,5
GW 44 438										
GW 44 219										
GW 44 419	300	220	180	316	236	188	250	170	-	109,5
GW 44 439										
GW 44 220										
GW 44 420	380	300	180	396	316	188	331	251	124	109,5
GW 44 440										
GW 44 221										
GW 44 421	460	380	180	474	396	188	380	310	300	109,5
GW 44 441										

### 44 CE RANGE - JUNCTION BOXES WITH SMOOTH WALLS - BACK-MOUNTING PLATES



CODE	A	B	C	D	E
GW 44 615	170	130	1,5/4	26	26
GW 44 625					
GW 44 616	230	170	1,5/4	28	28
GW 44 626					
GW 44 617	287	207	1,5/4	28,5	28,5
GW 44 627					
GW 44 618	363	283	2/4	26,5	56,5
GW 44 628					
GW 44 619	438	360	2/4	55	44
GW 44 629					