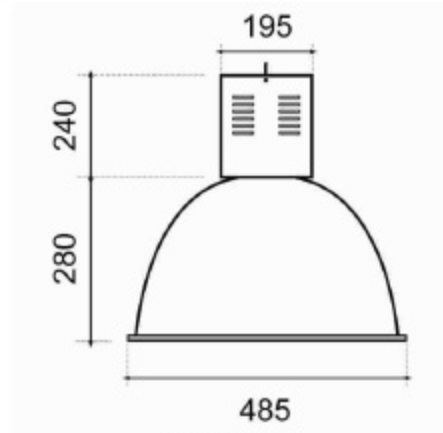


High Bay : ALTA Industrial High Bay

(HBA)



IMAGE



DIAGRAM

DESCRIPTION

IP22 white pre-coated polyester steel gear housing with detachable panel for easy access. Parabolic aluminium reflector. 6 to 12m mounting height recommended. A timed ignitor for SON and Metal Halide Lamps is fitted on all Hilclare Son & HQI up to 1KW.

LAMPS

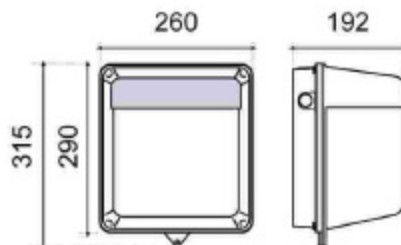
CODE	TYPE	WATTS	DESCRIPTION
LPH150EDG/BU	Metal Halide-E	150	150W-EURO Diffused GES (E40). (Universal burn in Base-Up orientation)
LPH250EDEU	Metal Halide-E	250	250W-Euro diffused GES (E40) (Universal Burn) for use with MBF ballast
LPH400EDEU	Metal Halide-E	400	400W-EURO diffused GES (E40) (Universal burn) for use with MBF ballast
LPH400PPEDH/BU	Metal Halide-E	400	400W Diffused GES (E40) (Base Up +/- 90 deg in Vertical orientation) use MBF ballast
LPHO150EDG/BU	HQI Open Fixture Rated	150	150W-HQI E-type, Open Rated, GES (E40) (Universal burn in Base-Up orientation)
LPHO250PPED/BU	HQI Open Fixture Rated	250	250W-HQI E-type, Open Rated, GES (E40) base, Base Up +/-15 deg
LPHO400PPEC/BU	HQI Open Fixture Rated	400	400W-HQI E-type, Clear Open Rated, GES (E40) base, Base Up +/-15 deg
LPHO400PPED/BU	HQI Open Fixture Rated	400	400W-HQI E-type, Diffused Open Rated, GES (E40) base, Base Up +/-15 deg
LPM250D	High Pressure Mercury	250	250W-MBFU diffused GES (E40)
LPM400D	High Pressure Mercury	400	400W-MBFU diffused GES (E40)
LPS150PE	High Pressure Sodium SON-E	150	150W-PLUS, without internal ignitor. (Universal)
LPS250PE	High Pressure Sodium SON-E	250	250W-PLUS (Super), GES (E40) without internal ignitor. (Universal)
LPS400PE	High Pressure Sodium SON-E	400	400W-PLUS (Super), GES (E40) without internal ignitor. (Universal)

Amenity Wall Lights : AMIGO

(WLA)



IMAGE



DIAGRAM

DESCRIPTION

IP65 black polycarbonate base and visor with clear prismatic polycarbonate diffuser. Minimal upright spillage. Available with photocell; add "P" to code.

LAMPS

CODE	TYPE	WATTS	DESCRIPTION
LPCF26	Fluorescent Compact	26	26W-Available A, W, CW, WW, (G24d/q-3) 2 & 4 pin versions
LPCF32	Fluorescent Compact	32	32W-Available A, W, CW, WW, (GX24q-2)
LPCF42	Fluorescent Compact	42	42W-Available A, W, CW, WW, (GX24q-3)
LPHC70TG12	Ceramic HQI	70	70W-HQI Ceramic, contant colour, G12, universal burn
LPHO70ED/BU	HQI Open Fixture Rated	70	70W-HQI E-type, Open Rated, ES (E27) base, Base Up
LPM80D	High Pressure Mercury	80	80W-MBFU diffused ES (E27).
LPS70E	High Pressure Sodium SON-E	70	70W-Clear GES (E27), without internal ignitor. (Universal)
LPS70IE	High Pressure Sodium SON-E	70	70W-SON-(I)E diffused ES (E27) with internal ignitor. (Universal)
No_Lamp	No_Lamp	0	Used by Simulator-Manually enter total flux all lamps

ACCESSORIES

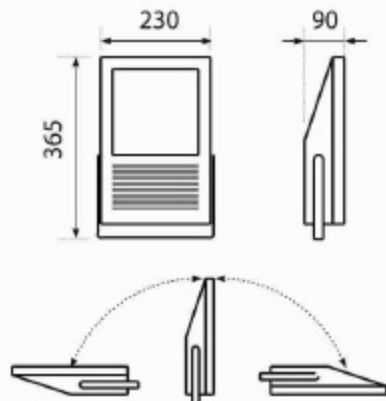
CODE	DESCRIPTION
CMASM	Galvanised steel bracket to secure single fitting to top of 76mm dia post
CMATM	Galvanised steel bracket to secure two fitting back-to-back to top of 76mm dia post
P	Add code P when ordering products complete with photocells to sense dusk/dawn.

Area Floods : BELO

(AFB)



IMAGE



DIAGRAM

DESCRIPTION

IP65, dry powder coated die-cast aluminium body, c/w glass diffuser and asymmetrical reflector

Blue and green lamps available in 150 W metal halide

LAMPS

CODE	TYPE	WATTS	DESCRIPTION
LPH150TR7	Metal Halide-T (double ended)	150	150W-HQI, RX7, Horizontal +/- 45 deg
LPH70TR7	Metal Halide-T (double ended)	70	70W-HQI, RX7, Horizontal +/- 45 deg
LPHC150TR7	Ceramic HQI	150	150W-Double ended RX7s-24
LPHC70TR7	Ceramic HQI	70	70W-Double ended RX7s
LPS150TR7	High Pressure Sodium SON-E	150	150W-Son RX7-24 double ended
LPS70TR7	High Pressure Sodium SON-E	70	70W-Son RX7-24 double ended
No_Lamp	No_Lamp	0	Used by Simulator-Manually enter total flux all lamps

ACCESSORIES

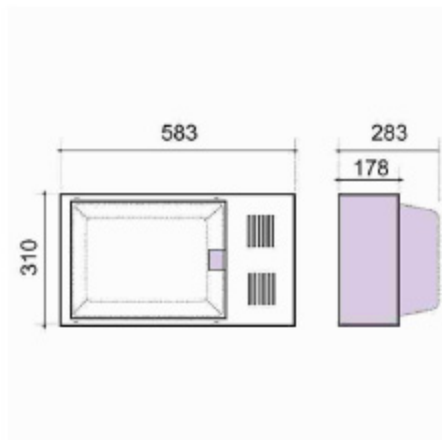
CODE	DESCRIPTION
AF450EA	450 mm pair of extension arms
AFCB1	Corner Bracket for swivel adjustment
AFWC2	Wire Cage

Low Bay : BISCAY Low Bay

(LBB)



IMAGE



DIAGRAM

DESCRIPTION

IP22 white pre-coated polyester steel construction with detachable cover for easy gear access. Mounting height 4 to 8m.
Luminaire fitted with Ultra-high Racking Reflector (12 to 18 m). Auxiliary Stand-by-Unit available, also supplied with mounting spline.

LAMPS

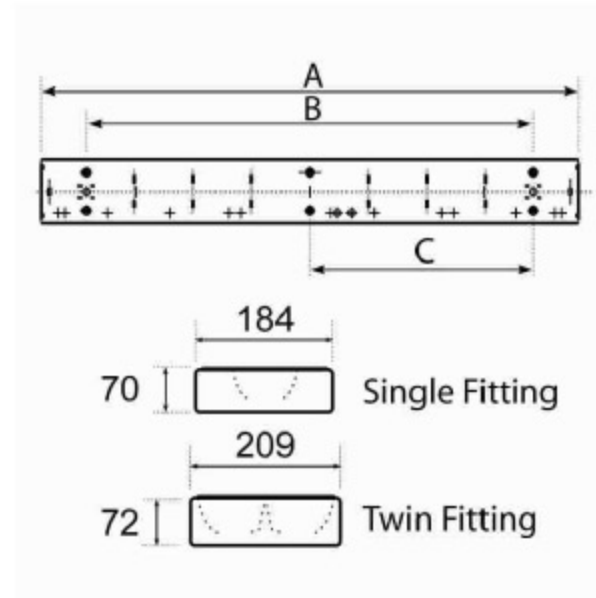
CODE	TYPE	WATTS	DESCRIPTION
LPH150TCG/H	Metal Halide-T	150	150W Clear GES (E40) (Base Up +/- 90 deg in Horizontal orientation) SON ballast
LPH250CEU	Metal Halide-T	250	250W Euro clear GES (E40) (Universal burn) use MBF ballast
LPH400TC/H	Metal Halide-T	400	400W Clear GES (E40) (Base Up +/- 90 deg in Horizontal orientation) use SON ballast
LPH400CEU	Metal Halide-T	400	400W-EURO clear GES (E40) (Universal burn) use MBF ballast
LPM250D	High Pressure Mercury	250	250W-MBFU diffused GES (E40)
LPM400D	High Pressure Mercury	400	400W-MBFU diffused GES (E40)
LPS150PT	High Pressure Sodium SON-T	150	150W-PLUS (Super), GES E40, without internal ignitor. (Universal)
LPS250PT	High Pressure Sodium SON-T	250	250W-PLUS (Super), GES E40, without internal ignitor. (Universal)
LPS400PT	High Pressure Sodium SON-T	400	400W-PLUS (Super), GES E40, without internal ignitor. (Universal)
No_Lamp	No_Lamp	0	Used by Simulator-Manually enter total flux all lamps

Surface Fluorescent : BRILLO 2 58 W Twin Tube

(SFB2-2-58)



IMAGE



DIAGRAM

DESCRIPTION

Attractive low profile luminaire with anodised, ultra-high purity aluminium, Cat 2 reflector and a white dry powder coated steel body. Length, A=1550 mm. T8 tubes not included.

Plain reflector complies with CIBSE LG7 Category 2 specification. Electronic starter, electronic ballast, emergency and/or dimmable versions available

LAMPS

CODE	TYPE	WATTS	DESCRIPTION
LPF58T8	Fluorescent	58	58W-T8 Linear
No_Lamp	No_Lamp	0	Used by Simulator-Manually enter total flux all lamps

ACCESSORIES

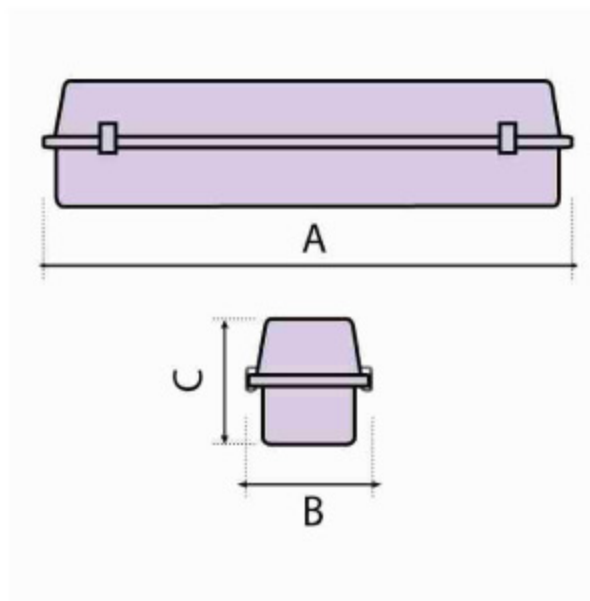
CODE	DESCRIPTION
EB	Fittings with electronic ballasts can be supplied on request

IP65 Fluorescent : CAZORLA (Twin 70W tube)

(CR-270)



IMAGE



DIAGRAM

DESCRIPTION

IP65, surface/suspended, injection moulded grey polycarbonate body, clear prismatic polycarbonate diffuser, stainless steel securing clips and switch start.. Length 1880 mm.

A=188cm, B=17cm, C=10cm. T8 lamps not included. Non-maintained or 3 hr maintained emergency options available.

LAMPS

CODE	TYPE	WATTS	DESCRIPTION
LPF70T8	Fluorescent	70	70W-T8 Linear

ACCESSORIES

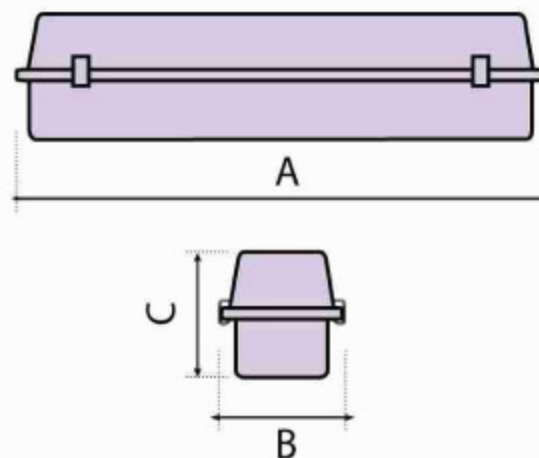
CODE	DESCRIPTION
CRSSB2	Stainless steel securing bracket for twin tube fitting

IP65 Fluorescent : CAZORLA (Single 58W tube)

(CR58)



IMAGE



DIAGRAM

DESCRIPTION

IP65, surface/suspended, injection moulded grey polycarbonate body, clear prismatic polycarbonate diffuser, stainless steel securing clips and switch start.. Length 1580 mm.
A=158cm, B=10cm, C=9cm. T8 lamps not included. Non-maintained or 3 hr maintained emergency options available.

LAMPS

CODE	TYPE	WATTS	DESCRIPTION
LPF58T8	Fluorescent	58	58W-T8 Linear
No_Lamp	No_Lamp	0	Used by Simulator-Manually enter total flux all lamps

ACCESSORIES

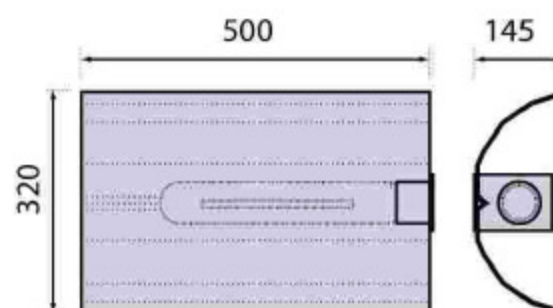
CODE	DESCRIPTION
CRSSB1	Stainless steel securing bracket for single tube fitting
HK20SSBCP	20 mm Steel Screwed Hook & Besa Box Cover Plate
JC10N10M	10 M of No 10 Jack Chain

Low Bay : CULTIVA Agricultural Low Bay

(HC)



IMAGE



DIAGRAM

DESCRIPTION

0.9 mm anodised open aluminium reflector with E40 lampholder. Even light distribution for location 1 to 1.5 metres above crops.

Supplied with black dry powder coated aluminium IP65 gear housing and mounting brackets with 3m mains cable c/w 13A plug, and 1m silicone.

LAMPS

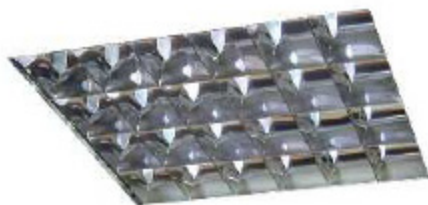
CODE	TYPE	WATTS	DESCRIPTION
LPH250TCEU	Metal Halide-T	250	250W Euro clear GES (E40) (Universal burn) use MBF ballast
LPH400TC/H	Metal Halide-T	400	400W Clear GES (E40) (Base Up +/- 90 deg in Horizontal orientation) use SON ballast
LPH400TCEU	Metal Halide-T	400	400W-EURO clear GES (E40) (Universal burn) use MBF ballast
LPS250PT	High Pressure Sodium SON-T	250	250W-PLUS (Super), GES E40, without internal ignitor. (Universal)
LPS400PT	High Pressure Sodium SON-T	400	400W-PLUS (Super), GES E40, without internal ignitor. (Universal)
LPS600PT	High Pressure Sodium SON-T	600	600W-PLUS (Super), GES (E40), without internal ignitor
No_Lamp	No_Lamp	0	Used by Simulator-Manually enter total flux all lamps

ACCESSORIES

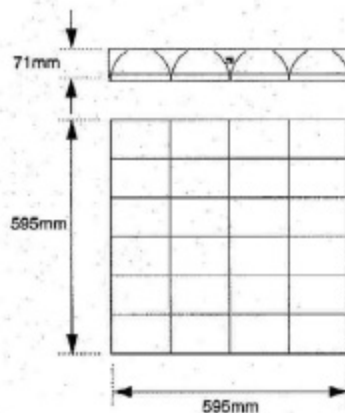
CODE	DESCRIPTION
HCDEF	A deflector which blocks out central illumination increasing sideways illumination, for use in Greenhouses

Rectangular Fluorescent : MURCIA - 4 Lamp 18W (600x600mm)

(LMM-4-18)



IMAGE



DIAGRAM

DESCRIPTION

Fully boxed white-gloss dry powder-coated body, with ultra-high purity anodised and polished aluminium (CAT2) louvre. Compliant with CIBE LG7 2005 (luminance<500Cd/sq m).

Integral emergency versions, and/or dimming versions available on request. T8 lamps not included.

LAMPS

CODE	TYPE	WATTS	DESCRIPTION
LPF18T8	Fluorescent	18	18W-T8 Linear
No_Lamp	No_Lamp	0	Used by Simulator-Manually enter total flux all lamps

ACCESSORIES

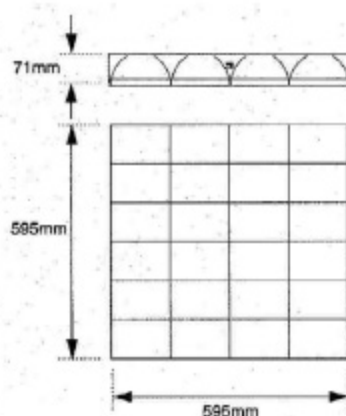
CODE	DESCRIPTION
LMMD1	Flat polystyrene prismatic diffuser. Fire rated Tp(b)
LMMD2	Flat acrylic prismatic diffuser. Fire rated Tp(b)
LMMD3	Flat p.e.t.g. prismatic diffuser. Fire rated Tp(b)
LMMD4	Flat polycarbonate prismatic diffuser. Fire rated Tp(b)
LV	Louvre

Rectangular Fluorescent : MURCIA - 4 Lamp 36W (1200x600mm)

(LMM-4-36)



IMAGE



DIAGRAM

DESCRIPTION

Fully boxed white-gloss dry powder-coated body, with ultra-high purity anodised and polished aluminium (CAT2) louvre. Compliant with CIBE LG7 2005

(luminance < 500 Cd/sq m). For use with exposed T-bars.

Integral emergency versions, and/or dimming versions available on request. T8 lamps not included.

LAMPS

CODE	TYPE	WATTS	DESCRIPTION
LPF36T8	Fluorescent	36	36W-T8 Linear
No_Lamp	No_Lamp	0	Used by Simulator-Manually enter total flux all lamps

ACCESSORIES

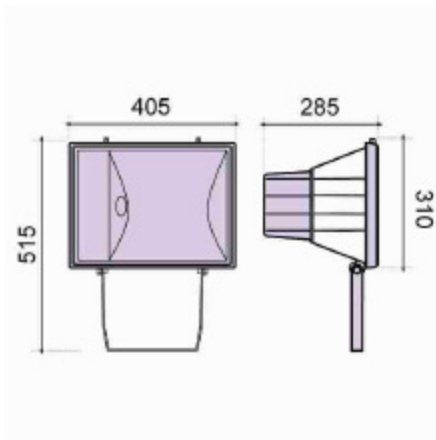
CODE	DESCRIPTION
LMMD5	Flat polystyrene prismatic diffuser. Fire rated Tp(b)
LMMD6	Flat acrylic prismatic diffuser. Fire rated Tp(b)
LMMD7	Flat p.e.t.g. prismatic diffuser. Fire rated Tp(b)
LMMD8	Flat polycarbonate prismatic diffuser. Fire rated Tp(b)
LV	Louvre

Area Floods : RIO

(AFR)



IMAGE



DIAGRAM

DESCRIPTION

IP65 dry powder coated aluminium black body, with toughened glass cover. 250 & 400W Metal Halide lamps available in blue or green.
Available with photocell; add "P" to code.

LAMPS

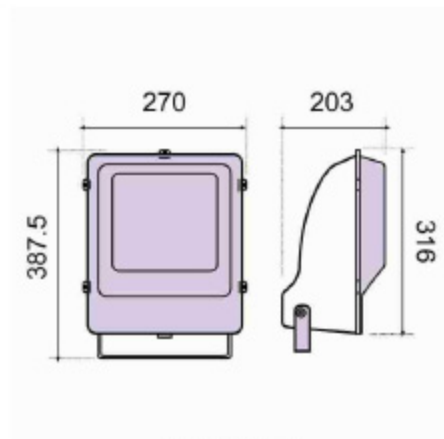
CODE	TYPE	WATTS	DESCRIPTION
LPH150TCG/H	Metal Halide-T	150	150W Clear GES (E40) (Base Up +/- 90 deg in Horizontal orientation) SON ballast
LPH250TCEU	Metal Halide-T	250	250W Euro clear GES (E40) (Universal burn) use MBF ballast
LPH400TC/H	Metal Halide-T	400	400W Clear GES (E40) (Base Up +/- 90 deg in Horizontal orientation) use SON ballast
LPH400TCEU	Metal Halide-T	400	400W-EURO clear GES (E40) (Universal burn) use MBF ballast
LPM250D	High Pressure Mercury	250	250W-MBFU diffused GES (E40)
LPM400D	High Pressure Mercury	400	400W-MBFU diffused GES (E40)
LPS150PT	High Pressure Sodium SON-T	150	150W-PLUS (Super), GES E40, without internal ignitor. (Universal)
LPS250PT	High Pressure Sodium SON-T	250	250W-PLUS (Super), GES E40, without internal ignitor. (Universal)
LPS400PT	High Pressure Sodium SON-T	400	400W-PLUS (Super), GES E40, without internal ignitor. (Universal)
No_Lamp	No_Lamp	0	Used by Simulator-Manually enter total flux all lamps

Area Floods : VISTA (Compact)

(AFV)



IMAGE



DIAGRAM

DESCRIPTION

Clear polycarbonate cover, polycarbonate base. Available in black or white. Available with photocell; add "P" to code.

LAMPS

CODE	TYPE	WATTS	DESCRIPTION
LPHO70ED/H	HQI Open Fixture Rated	70	70W-HQI E-type, Open Rated, ES (E27) base. Horizontal
LPM80D	High Pressure Mercury	80	80W-MBFU diffused ES (E27).
LPS70E	High Pressure Sodium SON-E	70	70W-Clear GES (E27), without internal ignitor. (Universal)
LPS70IE	High Pressure Sodium SON-E	70	70W-SON-(I)E diffused ES (E27) with internal ignitor. (Universal)
No_Lamp	No_Lamp	0	Used by Simulator-Manually enter total flux all lamps

ACCESSORIES

CODE	DESCRIPTION
AF450EA	450 mm pair of extension arms
AFCB1	Corner Bracket for swivel adjustment
AFWC1	Wire Cage

P

Add code P when ordering products complete with photocells to sense dusk/dawn.